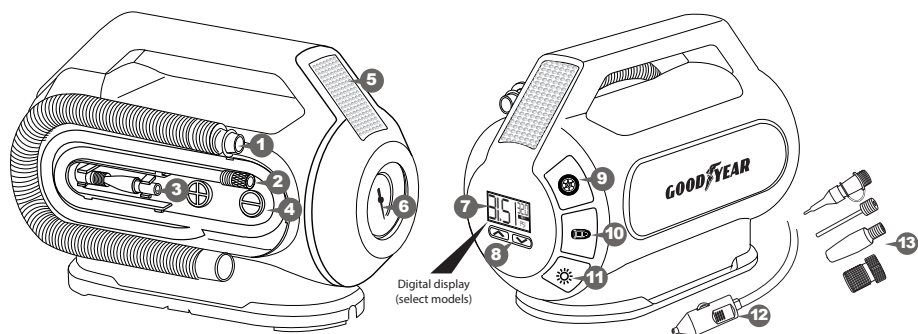


GOODYEAR Dual Flow Inflator (Models GY6AHL/GY6DHL/GY6DHL-CA)

! IMPORTANT: READ ALL INSTRUCTIONS BEFORE USE

SAVE THESE INSTRUCTIONS—This manual contains important instructions. They need to be followed during operation of this product.

Features



1	High volume/low pressure air hose: Inflates rafts, air mattresses and water toys.
2	High pressure air hose: Inflates vehicle/bicycle tires and sporting equipment.
3	Built-in storage for included inflation tips
4	High volume "+/-" ports connect to the high volume air hose for quick inflation or deflation
5	LED worklight
6	Analog (dial) air pressure gauge: On analog model compressors only. Needle and dial gauge displays the current air output of the compressor during use.
7	Digital (LCD) air pressure gauge: On digital model compressors only. Liquid crystal readout displays the current air output of the compressor during use. Also includes Auto-Fill function (see "Operation" below).

8	Auto-Fill setting buttons: (High pressure application on digital model only) Allow users to select and save their desired air pressure; compressor automatically shuts off when the proper pressure has been reached.
9	High Pressure On/Off button: Turns the compressor unit on and off for high pressure applications
10	High Volume On/Off button: Turns the compressor unit on and off for high volume applications.
11	LED Light button: Turns the LED worklight on and off.
12	12V input connector: (Stored in bottom of unit) Plugs into your car's 12V accessory power outlet to run the compressor.
13	Additional inflation tips: Adapters allow for inflating sport balls and other small inflatable items.

Before you start

! WARNING: Risk of injury

The compressor may become hot during use. Do not hold in hand while operating. Place compressor on a hard, clean surface.

! WARNING: Risk of injury or loss of life

Do not use this compressor on a running vehicle. Please make sure that the emergency brake is set and that the car is in "park". You may need to turn your ignition to "accessory" or "on" position (do not put vehicle in "drive") in order to power the compressor.

Safety Precautions

- Please make sure the air hose chuck touches the core of the tire's valve stem for proper inflation.
- Do not use the compressor continuously for more than 30 minutes. Please allow the unit to cool for approximately 10 minutes in between uses. Do not allow the compressor to run while unattended.
- Always use a pressure gauge to check your tire pressure. Do not over-inflate your tire.
- Soft inflatables (i.e. rafts, sports equipment, etc.) may not have recommended pressure markings. Be careful not to over-inflate these items beyond their capacity.
- Never block the compressor input or output during use.
- Keep the compressor out of the reach of children.
- Only use this compressor with 12 Volt DC power outlet

Operation

High Pressure Applications: Inflating Tires

! CAUTION: Risk of incomplete inflation

If your tire is totally deflated, it is possible that the tire could separate from the rim, allowing air to leak out when trying to inflate. In the event that this occurs, it may be necessary to jack up the tire prior to inflation.

- Screw the **high pressure** air hose connector onto the tire's valve stem.
- Plug the power cord into the 12 Volt accessory power outlet (see Safety Precautions above).
- Press the **high pressure** on/off button to turn on the compressor. Inflate the tire to manufacturer's recommended air pressure.



- When proper pressure is reached, press the on/off button again to turn off the inflator.
- Unplug the power cord and remove the air hose connector from your tire.

Note: Correct tire pressure can be found in your vehicle's owner's manual or on the driver's side door jamb.

High Volume/Low Pressure Applications: Inflating Additional Items (rafts, mattresses, water toys)

- Attach the proper inflation adapter to the compressor's **high volume/low pressure** air hose.
- Connect the high volume air hose to the "+" port on the side of the compressor to add air, or to the "-" port to remove air.
- Insert the hose end with adapter into the inflatable's air inlet.
- Plug the power cord into the 12 Volt accessory power outlet (see Safety Precautions above).
- Press the **high volume** on/off button to turn on the compressor.

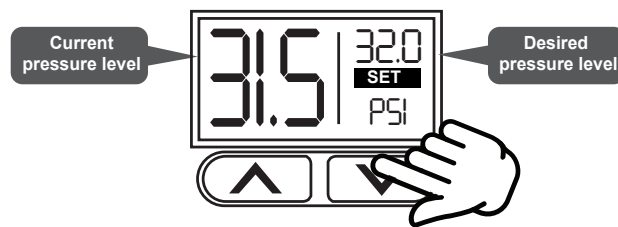


- Carefully inflate to your desired level. Go slowly and be cautious not to over-fill the inflatable item.
- Unplug the power cord and remove the air hose.

Auto-Fill Function (High Pressure application on digital compressors only)

! WARNING: Risk of incomplete/unsafe tire inflation

Please verify the correct pressure of your tire before setting the auto-fill cutoff. Setting the cutoff too low may result in an improperly inflated tire and may pose a safety hazard. Correct pressure can be found in your vehicle's owner's manual or on the driver's side door jamb.



- Set your desired compressor auto inflation level by pressing up/down push buttons. You will see the desired pressure level increase/decrease in the number above the "set" icon.
- Once you have set the desired pressure (PSI) level, release the buttons. The desired level is displayed above the "set" icon on the screen.
- The desired pressure level will automatically be stored after 2 seconds once the button(s) have been released.
- Press the tire icon to start the compressor. The compressor will fill the tire (or other inflatable) to the desired PSI and then shut off. During operation, the current pressure level on the display will gradually increase until the desired pressure level has been reached.

Troubleshooting

Problem	Solution
Compressor doesn't turn on	<ol style="list-style-type: none"> The fuse, located in the plug adapter, may have blown. Unscrew the Phillips screw of the plug adapter, remove fuse and inspect. If necessary, replace the fuse with one of the same size and amperage. Check the vehicle power outlet fuse; it should be a minimum of 15 amps. Check receptacle and plug terminals for dirt (particularly tobacco). Use a non-conductive probe (NOT fingers or metal!) to dislodge and remove debris. Push the power plug firmly into the receptacle and twist it back and forth.
Compressor runs but does not inflate	<ol style="list-style-type: none"> Be sure that the air hose connector is tightly screwed onto the valve stem. Check tire for leaks. Check hose for breaks and leaks at fittings.
Compressor runs slowly	<ol style="list-style-type: none"> The compressor may have overheated from excessive use. Shut it off and allow it to cool for 10 minutes. The voltage may be too low. Check the condition of your vehicle's battery.

Specifications

General Specifications

Ideal uses	Automotive/motorcycle/bicycle tires; sports equipment
Air pressure range	0-100 PSI
Tire inflation time	6 minutes *
Airflow	17.5 Liters per minute (high pressure output)
Power source	12V accessory power outlet (15 Amps)
Air pressure gauge	Analog (dial) or Digital (LCD), depending on model
Worklight	LED
Included accessories (one each)	Tapered nozzle, ball needle, high volume adapter tip

Physical Specifications

Air hose length	22.0 in / 56.0 cm
Power cord length	12.5 ft / 380 cm
Dimensions (L x W x H)	9.4 x 5.2 x 6.5 in. / 24.0 x 13.2 x 16.6 cm
Weight	2.1 lbs / 0.93 kg

* 0-35 PSI, Based on standard tire: P195/65 R15

NOTE: All specifications are subject to change without notice.

Recycling

Battery-Biz is committed to environmental responsibility and recommends that electronic devices be disposed of properly. Please contact your local city offices for information on recycling and disposal programs for e-waste.

For instructions on how to recycle this product visit <http://www.call2recycle.org>.

Contacting Customer Support

If you experience any problems or have any questions regarding your Goodyear® product, free technical support is available. Prior to calling, please review the technical support tips below.

Call from a phone where you have access to your mobile device

Be prepared to provide the following information:

- Name, address and telephone number
- Name of the Goodyear® product
- Make and model of your device
- Symptoms of the problem(s) and what led to them
- Proof of Purchase

Technical Support is available by telephone:
U.S. and Canada (800) 842-2185
Written inquiries should be directed to:
Battery-Biz Inc.
Goodyear® Product Inquiry
1380 Flynn Road, Camarillo, CA 93012, USA

Email Inquiries should be sent to our customer service email: info@goodyearinflator.com

Product Registration

For complete warranty coverage, please register your Goodyear product within fourteen days of purchase.

Visit GoodyearInflator.com/Register

or scan the QR code below to register.



Warranty And Returns

Two Year Limited Warranty

This Goodyear product carries a limited warranty against defects in material and workmanship under normal use and service for two years from the original date of purchase. The manufacturer or distributor, at its option, shall repair or

replace the defective unit covered by this warranty. Please retain the dated sales receipt as evidence of the date of purchase as it will be required for any warranty service. In order to keep the warranty in effect, the product must have been handled and used as described in the instructions accompanying this warranty. This warranty does not cover any damage due to accident, misuse, abuse or negligence.

Disclaimer Of Warranty

The limited warranty described herein is your sole remedy. To the extent permitted by law, the manufacturer and distributor disclaim all other implied or express warranties including all warranties of merchantability and/or fitness for any particular purpose.

Limitation Of Liability

Except to the extent of repairing or replacing this product as expressly stated in the limited warranty described herein, the manufacturer and distributor shall not be liable for any damages, whether direct, indirect, incidental, special, consequential, exemplary, or otherwise, including lost revenues, lost profits, loss of use of software, loss or recovery of data, rental of replacement equipment, downtime, damage to property, and third-party claims, arising out of any theory of recovery, including statutory, contract or tort. Notwithstanding the term of any limited or implied warranty, or in the event that any limited warranty fails of its essential purpose, in no event will the manufacturer's and distributors entire liability exceed the purchase price of this product. Some states and provinces do not allow the exclusion or limitation of incidental or consequential damages so the above limitations or exclusions may not apply to you. This limited warranty gives you specific legal rights. You may have other rights which vary from state to state and province to province.